

HT390/410J

SELF-PROPELLED TELESCOPIC BOOMS

Mantall®

Standard Features

- Self-levelling platform
- Hydraulic rotation platform
- Hall effect fully proportional controls
- Driving confirm
- AC wiring to platform
- 360° Turntable rotation
- Horn
- Hour meter
- Tilt alarm
- Positive traction drive
- Dual Speed motor
- Emergency pump
- CAN intelligent control
- Overload sensor

Options Features

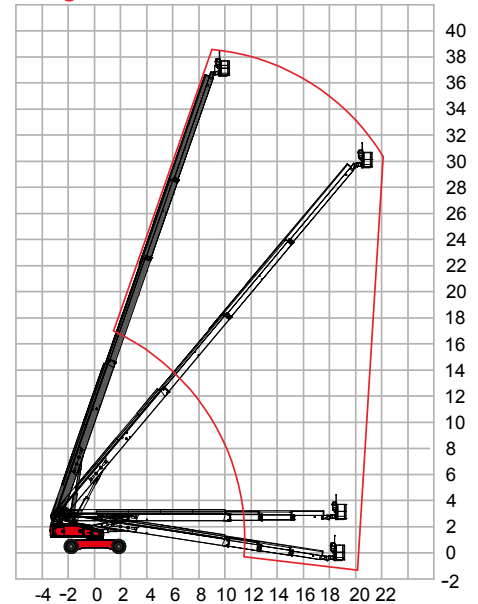
- Platform swing gate
- Platform alternate leverage
- Welder connecting packages
- Welder wire connecting to the platform
- Airline to platform
- Hydraulic oil cooler
- Hostile environment packages
- Anti-crash air packages
- Tool tray
- Alarm packages
- Platform work lights
- Traction packages
- AC power source
- Oscillating axle



HT390/410J

MODEL	HT390	HT410J
Max. Working height	38.5 m	41 m
Max. Platform height	36.5 m	39 m
Max. Lift capacity	340 kg	340 kg
Platform size B x C x A	1.8 x 0.76 x 1.1 m	
Height - stowed D	3.55 m	3.55 m
Length - stowed E	16.2 m	16.6 m
Width F	2.5m (3.8m)	
Wheelbase G	3.8 m	
Ground clearance H	0.52 m	
Turntable rotation	360°	
Platform rotation	180°	
Jib Swing	/	130° (+75°/55°)
Drive speed - stowed	4.24 km/h	
Drive speed - raised	0.55 km/h	
Gradeability (2WD)	25%	
Gradeability (4WD)	40%	
Drive wheels number	2	4
Steering wheel number	2	4
Controls	Electro Hydraulic proportional control	
System voltage	DC 12V	
Tire size	445/65-24; Rubber Solid Tire	
Power	Cummins engine QSF2.8T-C72 54kW	
Total weight (4WD)	24000 kg	26500 kg

Range of motion HT390



Range of motion HT410J

